

GUITAR, AMPLIFIER, CASE COMBINATION

HOW TO ORDER PARTS:

WHERE TO PLACE ORDER:

Replacement parts may be ordered through any Sears, Roebuck and Co. U.S.A., or in Canada, Simpsons-Sears Retail or Mail Order Store. Prices available for application.

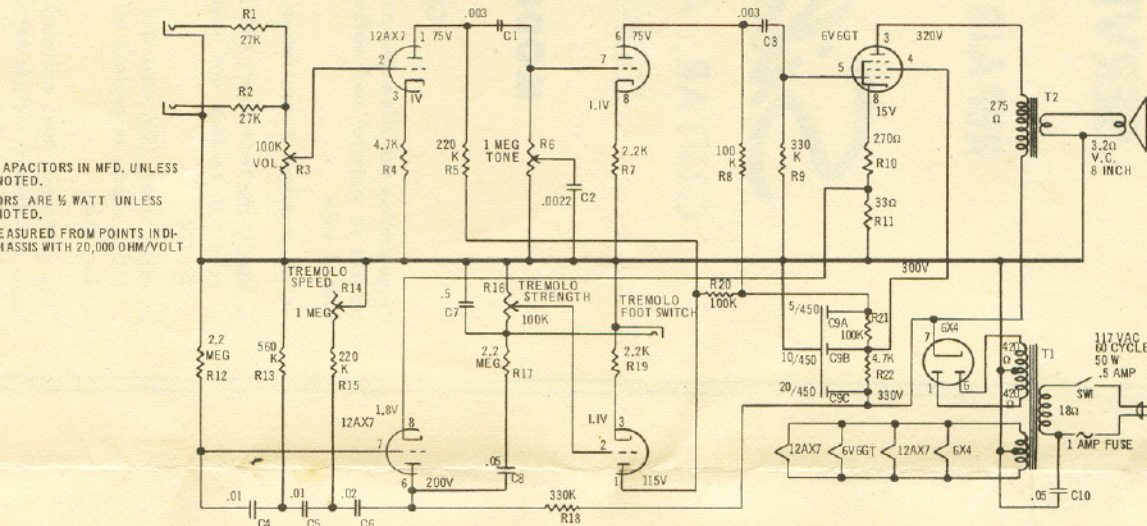
ORDER MUST STATE:

1. The Part Number
2. The Part Description
3. The Chassis Number
4. The Model Number

USED IN
MODEL
1449

LOCATION OF CHASSIS AND MODEL NUMBERS:

The chassis number will be found on a metal plate attached to the chassis. The model number will be found on the control panel.



SCHEMATIC DIAGRAM OF SILVERTONE CHASSIS 185.11090

CHASSIS PARTS				CABINET PARTS	
Part No.	Description	Schematic Location	Part No.	Description	Part No. Description
CAPACITORS			RESISTORS		
20-0036	Tubular, .003 mfd., 600 v.	(All resistors 1/2 watt unless otherwise noted)	1449C	Case	
20-220	Ceramic, .0022 mfd., 600v.	R1,R2	7835	Handle with hardware	
20-016	Tubular, .01 mfd., 600 v.	R3,R16	53N	Hinge	
20-026	Tubular, .02 mfd., 600 v.	R4,R22	3011N	Catch	
20-502	Tubular, .5 mfd., 200 v.	R5,R15	273	Lid support	
20-056	Tubular, .05 mfd., 600 v.	R6	8M32	Speaker, 8 inch, 3.2 ohm V.C.	
B-C9C	25-51020 Electrolytic, 5-10-20 mfd., 450 v.	R7,R19	1449M-V1	Owner's Manual	
MISCELLANEOUS PARTS					
P-7	Power Transformer	R8,R20,R21			
091	Output Transformer	R9,R18			
2019	Toggle Switch SPST	R10			
83130BL	Control Knob, Black	R11			
FS49	Single Foot Switch	R12,R17			

INFORMATION FOR SEARS TECHNICIAN

ORDERING INSTRUCTIONS: File this page in numerical order in Section A of the Division 57 Radio Technician Manual. For current selling prices, availability and ordering information refer to Division 57 Authorized Price List 185.00.

**SILVERTONE
GUITAR, AMPLIFIER, CASE COMBINATION**

OPERATING INSTRUCTIONS

AMPLIFIER . . . First remove the guitar and its cord from the case. The case should now be stood on end and opened as wide as the bracket will allow. This is the proper operating position. Never operate the amplifier closed, as the tubes become hot and must have ventilation. Connect the guitar to the amplifier by plugging in the cord.

POWER SUPPLY . . . CAUTION: This amplifier is designed for operation from 105-125 volt, 60 cycle A.C. Never connect to a power supply having a different voltage or frequency. Insert power cord plug into any convenient outlet. Push power switch to "On" position. Allow 30 seconds to warm up.

HUM . . . Local conditions affecting your power supply may cause a slight hum or noise in the amplifier. The hum may frequently be eliminated by disconnecting the power cord from the electric outlet and inserting it again with the position of the prongs reversed.

GUITAR . . . Your guitar has been properly adjusted at the factory, however, individual musicians may desire somewhat different settings. Both the pickup and the metal bridge may be raised, lowered, or tilted by using a Phillips screw driver on the appropriate screws. Avoid excessive adjustments. Raising the bridge too high will make fingering hard. Lowering the bridge too much will result in string buzz. The rosewood slider on the bridge can be moved forward or back. The correct position (as shipped) is indicated by two small dots indented on the surface of the metal bridge.

NECK ADJUSTMENT . . . The neck is secured to the body by means of 3 Phillips screws located in a triangle at the rear of the body and the base of the neck. Next to the bottom one of these 3 screws is a small hole. Inside this hole is an adjustment screw which may be turned by a hexagon key wrench, size 3/32. Before making this adjustment, loosen the one Phillips screw nearest the hole. After the adjustment with the hex key has been made, retighten the Phillips screw. Do not overtighten.

NORMAL CARE AND MAINTENANCE

TUBES . . . Check tubes once a year, or more frequently if amplifier is subject to constant or severe use. When replacing tubes take care to put them in the correct sockets and see that the base pins are fully inserted.

1449
OWNER'S MANUAL

**SERVICE DATA
and
REPAIR PARTS LIST
for**

Silvertone
**GUITAR, AMPLIFIER, CASE
COMBINATION**

MODEL NO. 1449

GUARANTEE

We guarantee the Silvertone musical instrument amplifier to be free from defects in material and workmanship for a period of one (1) year from date of sale.

Should a defect occur, return the part or amplifier to us and we will:

1. during the first ninety (90) days from date of sale at our option either repair or replace and install any defective parts or tubes free of charge.
2. after ninety (90) days and for the balance of the year at our option either repair or replace all defective parts and tubes, charging only for labor.

This guarantee does not provide free labor for service rendered in the home, nor does it include service necessitated by damage due to misuse, abuse, improper line voltage, fire or flood, lightning or other acts of God.

**SEARS, ROEBUCK and CO., U.S.A.
and SIMPSONS-SEARS LIMITED**